

VT140WDESMD

Waveguide Electromechanical Switch

Features:

- Full Waveguide Band Coverage
- DPDT, Optional SPDT Configuration
- Equipped with Position Indicator

Applications:

- Transmit-Receive system
- Electronic Countermeasures System
- Commercial Ground Stations



Electrical Specifications

Parameter	Minimum	Typical	Maximum	Units
Frequency	11.9		18	GHz
VSWR			1.15	
Insertion Loss			0.15	dB
Isolation	70			dB
Average Power			500	W
Peak Power			50	KW

Mechanical Specifications

Parameter	Specifications
Waveguide Type	WR62
Flange Type	UBR140
Material	Aluminum
Inside Finish	Natural conductive oxidation
Outside Finish	Black paint with control part
Weight	0.6 kg
Operating Temperature	-40°C~+70°C
Storage Temperature	-55°~ +85°C
Relative Humidity	80%
IP Level	IP54

VT140WDESMD

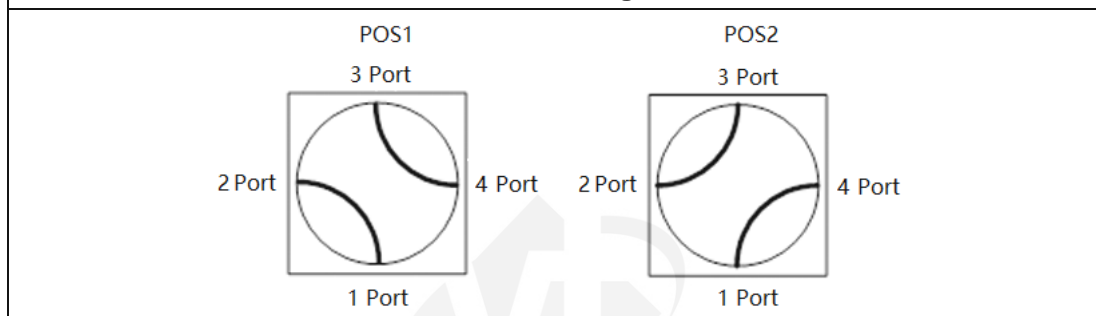
Waveguide Electromechanical Switch Control Specifications

Parameter	Specifications
Control Mode	Electric, Manual
Control Connector	Y50X-0807
Operating Mode	Power off protection type
Current	+22V ~ +32V
Voltage	1A
Switch Time (Max)	80ms
Switch Lifetime (Min)	100,000 times

Wiring Definition

Pin Definition	Function	Note
1	VCC1 (24V)	VCC1 (POS1)
2	GND	
3	VCC2 (24V)	VCC2 (POS2)
4	J1	POS1: J1 and COM conducting
5	COM	Signal common port
6	J2	POS2: J2 and COM conducting

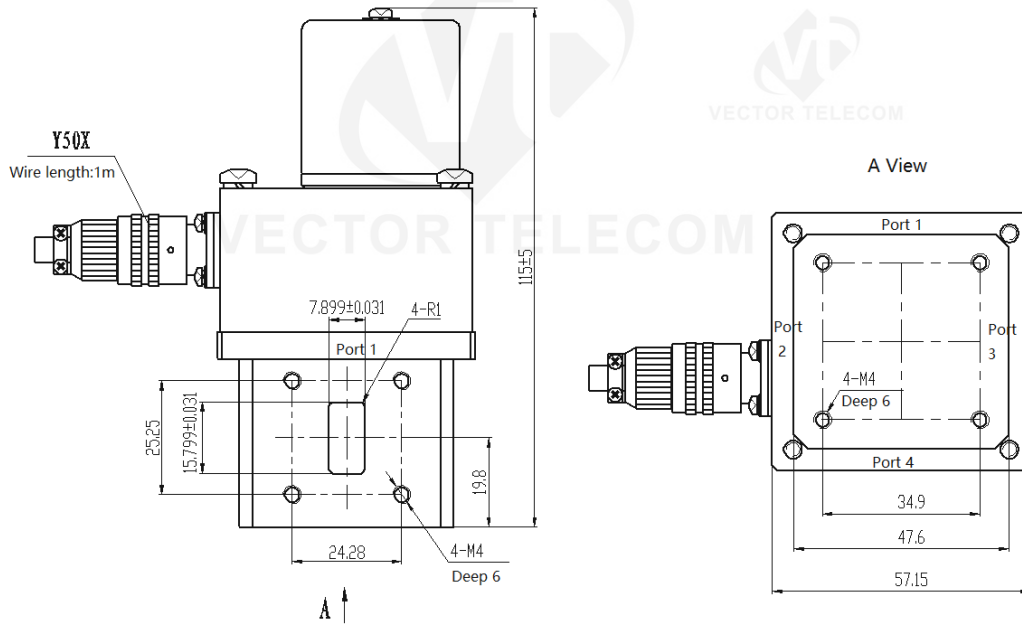
Port Status Diagram



VT140WDESMD

Waveguide Electromechanical Switch

Outline Drawings (Unless otherwise specified, all dimensions are in millimeters)



Waveguide Electromechanical Switch

Revision History

Date	Revision	Changes
09-Oct-2019	1	First release

Information furnished is believed to be accurate and reliable. However, Vector Telecom assumes no responsibility for the consequences of use of such information nor for any infringement of patents or other rights of third parties which may result from its use. No license is granted by implication or otherwise under any patent or patent rights of Vector Telecom. Specifications mentioned in this publication are subject to change without notice. This publication supersedes and replaces all information previously supplied. Vector Telecom products are not authorized for use as critical components in life support devices or systems without express written approval of Vector Telecom.

The Vector Telecom logo is a registered trademark of Vector Telecom Pty Ltd.

© 2021 Vector Telecom Pty Ltd - All rights reserved

Email: sales@vectortele.com

www.vectortele.com