



Vector Telecom

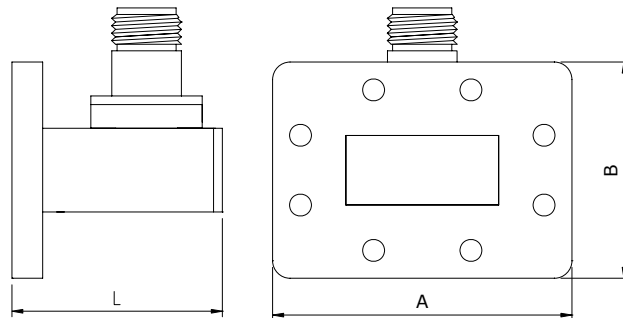
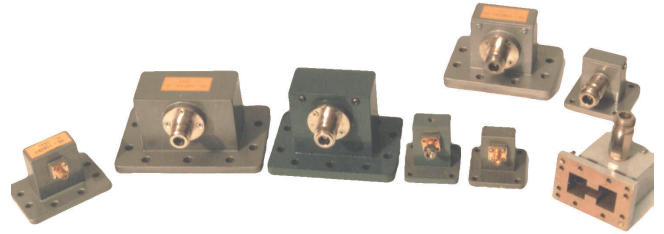
Section 1

Waveguide Components

6 Adapters

6.1 Waveguide to Coaxial Adapter (Right Angle)

Vector Telecom manufactures Waveguide to Coaxial Adapters covering a full frequency range for Rectangular Waveguides, with multiple flange and coaxial connector types and configurations available. For more information feel free to call us and discuss your needs with one of our sales engineers.



Type N Waveguide to Coaxial Adapters

【Specifications】

Model No*	Freq Range (GHz)	VSWR (Max)	Dimensions L*B*A (mm)	WG Type		Flange	Material
				IEC	EIA		
VT3WCAN...	0.32-0.49	1.25	400*384*676	R3	WR2300	FDP/FDM	Al
VT4WCAN...	0.35-0.53	1.25	380*359*626	R4	WR2100	FDP/FDM	Al
VT5WCAN...	0.41-0.62	1.25	350*318*546	R5	WR1800	FDP/FDM	Al
VT6WCAN...	0.49-0.75	1.25	300*280*470	R6	WR1500	FDP/FDM	Al
VT8WCAN...	0.64-0.98	1.25	260*235*381	R8	WR1150	FDP/FDM	Al
VT9WCAN...	0.75-1.15	1.25	231*212*336	R9	WR975	FDP/FDM	Al
VT12WCAN...	0.96-1.46	1.25	166*187*285	R12	WR770	FDP/FDM	Al
VT14WCAN...	1.13-1.73	1.25	150*138*220	R14	WR650	FDP/FDM	Al
VT18WCAN...	1.45-2.20	1.25	120*120*185	R18	WR510	FDP/FDM	Al/Cu
VT22WCAN...	1.72-2.61	1.25	100*106*161	R22	WR430	FDP/FDM	Al/Cu
VT26WCAN...	2.17-3.30	1.25	90*95*138	R26	WR340	FDP/FDM	Al/Cu
VT32WCAN...	2.60-3.95	1.25	72*76*114	R32	WR284	FDP/FDM	Al/Cu

06

Adapters



Vector Telecom Pty Ltd

Website: www.vectortele.com

Email: sales@vectortele.com

Model No*	Freq Range (GHz)	VSWR (Max)	Dimensions L*B*A (mm)	WG Type		Flange	Material
				IEC	EIA		
VT40WCAN...	3.22-4.90	1.25	65*70*98	R40	WR229	FDP/FDM	Al/Cu
VT48WCAN...	3.94-5.99	1.25	54*63*89	R48	WR187	FDP/FDM	Al/Cu
VT58WCAN...	4.64-7.05	1.25	50*62*81	R58	WR159	FDP/FDM	Al/Cu
VT70WCAN...	5.38-8.17	1.25	48*49*68	R70	WR137	FDP/FDM	Al/Cu
VT84WCAN...	6.57-9.99	1.25	40*48*48	R84	WR112	FBP/FBM/FBE	Al/Cu
VT100WCAN...	8.20-12.4	1.25	38*41*41	R100	WR90	FBP/FBM/FBE	Al/Cu
VT120WCAN...	9.84-15.0	1.25	30*38*38	R120	WR75	FBP/FBM/FBE	Al/Cu
VT140WCAN...	11.9-18.0	1.25	27*33*33	R140	WR62	FBP/FBM/FBE	Al/Cu
VT180WCAN...	14.5-22.0	1.25	27*30*30	R180	WR51	FBP/FBM/FBE	Al/Cu

*Indicates Model Number. See Ordering Information for complete part number.

【Ordering Information】

Example Part No: VT 70 WCA N K M A

Vector Telecom ———

WG Type: R70 ———

Product Type: WG To Coaxial Adapter ———

Material: A =Aluminum, C=Copper

Flange Type: M=FDM70

J=Male, K=Female

Coax Connector Type: N=Type N, S=SMA, 2.92=K2.92mm, 2.4=2.4mm, TNC=TNC

- Flange type: Multiple types available - see VT Flanges page
- Finish: Corrosion protection plus black top coat
- Standard unit provided not sealed pressure tight unless otherwise specified

SMA Waveguide to Coaxial Adapters

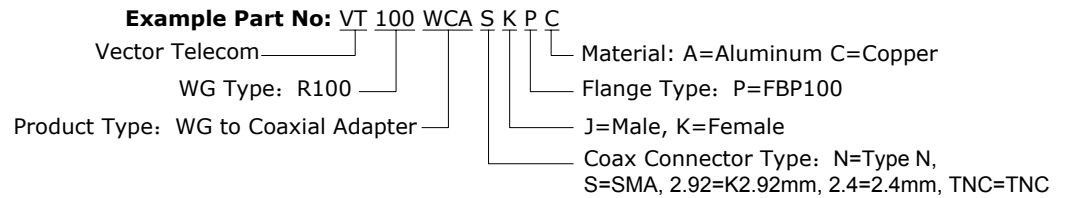
【Specifications】

Model No*	Freq Range (GHz)	VSWR (Max)	Dimensions L*B*A (mm)	WG Type		Flange	Material
				IEC	EIA		
VT100WCAS...	8.20-12.4	1.25	38*41*41	R100	WR90	FBP/FBM/FBE	Al/Cu
VT120WCAS...	9.84-15.0	1.25	30*38*38	R120	WR75	FBP/FBM/FBE	Al/Cu
VT140WCAS...	11.9-18.0	1.25	27*33*33	R140	WR62	FBP/FBM/FBE	Al/Cu
VT180WCAS...	14.5-22.0	1.25	27*30*30	R180	WR51	FBP/FBM/FBE	Al/Cu
VT220WCAS...	17.6-26.7	1.40	25*22*22	R220	WR42	FBP/FBM/FBE	Al/Cu
VT320WCAS...	26.3-40.0	1.50	25*19*19	R320	WR28	FBP/FBM/FBE	Al/Cu

*Indicates Model Number. See Ordering Information for complete part number.



【Ordering Information】



- Flange type: Multiple types available - see VT Flanges page
- Finish: Corrosion protection plus black top coat
- Standard unit provided not sealed pressure tight unless otherwise specified.

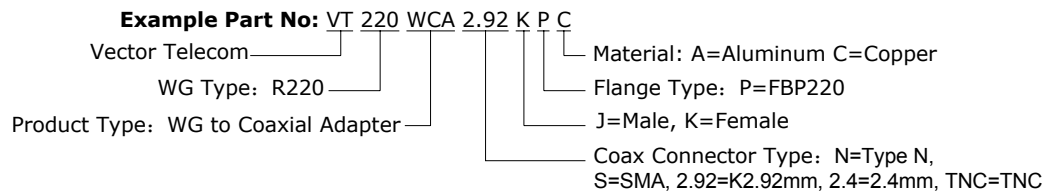
K2.92mm Waveguide to Coaxial Adapters

【Specifications】

Model No*	Freq Range (GHz)	VSWR (Max)	Dimensions L*B*A (mm)	WG Type		Flange	Material
				IEC	EIA		
VT220WCA2.92...	17.6-26.7	1.50	33*22*22	R220	WR42	FBP/FBM/FBE	Al/Cu
VT260WCA2.92...	21.7-33.0	1.50	27*21*21	R260	WR34	FBP/FBM/FBE	Al/Cu
VT320WCA2.92...	26.3-40.0	1.50	25*19*19	R320	WR28	FBP/FBM/FBE	Al/Cu

*Indicates Model Number. See Ordering Information for complete part number.

【Ordering Information】



- Flange type: Multiple types available - see VT Flanges page
- Finish: Corrosion protection plus black top coat
- Standard unit provided not sealed pressure tight unless otherwise specified.



2.4mm Waveguide to Coaxial Adapters

【Specifications】

Model No*	Freq Range (GHz)	VSWR (Max)	Dimensions L*B*A (mm)	WG Type		Flange	Material
				IEC	EIA		
VT220WCA2.4...	17.6-26.7	1.50	36*22*22	R220	WR42	FBP/FBM/FBE	Al/Cu
VT260WCA2.4...	21.7-33.0	1.60	27*21*21	R260	WR34	FBP/FBM/FBE	Al/Cu
VT320WCA2.4...	26.3-40.0	1.60	25*19*19	R320	WR28	FBP/FBM/FBE	Al/Cu

*Indicates Model Number. See Ordering Information for complete part number.

【Ordering Information】

Example Part No: VT 320 WCA 2.4 K P C

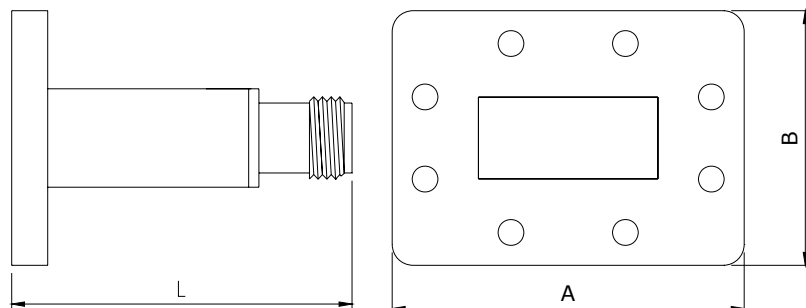
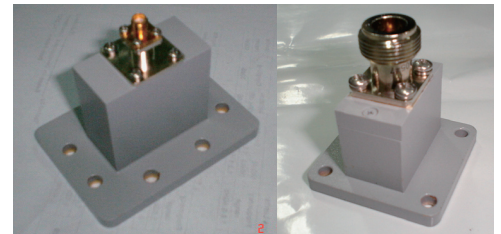
Vector Telecom ——— |
 WG Type: R320 ——— |
 Product Type: WG to Coaxial Adapter ——— |

Material: A=Aluminum C=Copper
 Flange Type: P=FBP320
 J=Male, K=Female
 Coax Connector Type: N=Type N, S=SMA, 2.92=K2.92mm, 2.4=2.4mm, TNC=TNC

- Flange type: Multiple types available - see VT Flanges page
- Finish: Corrosion protection plus black top coat
- Standard unit provided not sealed pressure tight unless otherwise specified.

6.2 Waveguide to Coaxial Adapter (End-launch)

Vector Telecom manufactures End-launch Waveguide to Coaxial Adapters covering a full frequency range for Rectangular Waveguides, with multiple flange and coaxial connector types and configurations available. For more information feel free to call us and discuss your needs with one of our sales engineers.





【Specifications】

Model No*	Freq Range (GHz)	VSWR (Max)	Connector Type	Dimensions L*B*A (mm)	WG Type		Flange	Material
					IEC	EIA		
VT22WECAN...	1.72-2.61	1.25	N	128.7*106*161	R22	WR430	FDP/FDM	Al/Cu
VT22WECAS...	1.72-2.61	1.25	SMA	113.4*106*161	R22	WR430	FDP/FDM	Al/Cu
VT26WECAN...	2.17-3.30	1.25	N	118.7*95*138	R26	WR340	FDP/FDM	Al/Cu
VT32WECAN...	2.60-3.95	1.25	N	108.7*76*114	R32	WR284	FDP/FDM	Al/Cu
VT40WECAN...	3.22-4.90	1.25	N	94.7*70*98	R40	WR229	FDP/FDM	Al/Cu
VT48WECAN...	3.94-5.99	1.25	N	74.7*63*89	R48	WR187	FDP/FDM	Al/Cu
VT48WECAS...	3.94-5.99	1.25	SMA	78.4*63*89	R48	WR187	FDP/FDM	Al/Cu
VT58WECAN...	4.64-7.05	1.25	N	72.4*62*81	R58	WR159	FDP/FDM	Al/Cu
VT70WECAN...	5.38-8.17	1.25	N	68.8*49*68	R70	WR137	FDP/FDM	Al/Cu
VT84WECAN...	6.57-9.99	1.25	N	58.8*48*48	R84	WR112	FBP/FBM/FBE	Al/Cu
VT84WECAS...	6.57-9.99	1.25	SMA	49.5*48*48	R84	WR112	FBP/FBM/FBE	Al/Cu
VT100WECAN.....	8.20-12.40	1.25	N	49.3*41*41	R100	WR90	FBP/FBM/FBE	Al/Cu
VT100WECAS...	8.20-12.40	1.25	SMA	40*41*41	R100	WR90	FBP/FBM/FBE	Al/Cu
VT120WECAN...	9.84-15.0	1.25	N	46.3*38*38	R120	WR75	FBP/FBM/FBE	Al/Cu
VT120WECAS...	9.84-15.0	1.25	SMA	37*38*38	R120	WR75	FBP/FBM/FBE	Al/Cu
VT140WECAN...	11.9-18.0	1.25	N	43.3*33*33	R140	WR62	FBP/FBM/FBE	Al/Cu
VT140WECAS...	11.9-18.0	1.25	SMA	34*33*33	R140	WR62	FBP/FBM/FBE	Al/Cu
VT220WECAS...	17.6-26.7	1.50	SMA	26.5*22*22	R220	WR42	FBP/FBM/FBE	Al/Cu
VT220WECAK...	17.6-26.7	1.50	K2.92mm	27.8*22*22	R220	WR42	FBP/FBM/FBE	Al/Cu
VT260WECAS...	21.7-33.0	1.50	SMA	26.1*21*21	R260	WR34	FBP/FBM/FBE	Al/Cu
VT260WECAK...	21.7-33.0	1.50	K2.92mm	29*21*21	R260	WR34	FBP/FBM/FBE	Al/Cu
VT320WECAS...	26.3-40.0	1.50	SMA	25.9*19*19	R320	WR28	FBP/FBM/FBE	Al/Cu
VT320WECAK...	26.3-40.0	1.50	K2.92mm	28.9*19*19	R320	WR28	FBP/FBM/FBE	Al/Cu

*Indicates Model Number. See Ordering Information for complete part number.

【Ordering Information】

Example Part No: VT 70 WECA N K M A

Vector Telecom _____

WG Type: R70 _____

Product Type: WG To Coaxial Adapter (End-launch) _____

Material: A =Aluminum, C=Copper _____

Flange Type: M=FDM70 _____

J=Male, K=Female _____

Coax Connector Type: N=Type N, S=SMA, 2.92=K2.92mm, 2.4=2.4mm, TNC=TNC _____

- Flange type: Multiple types available - see VT Flanges page
- Finish: Corrosion protection plus black top coat
- Standard unit provided not sealed pressure tight unless otherwise specified.